

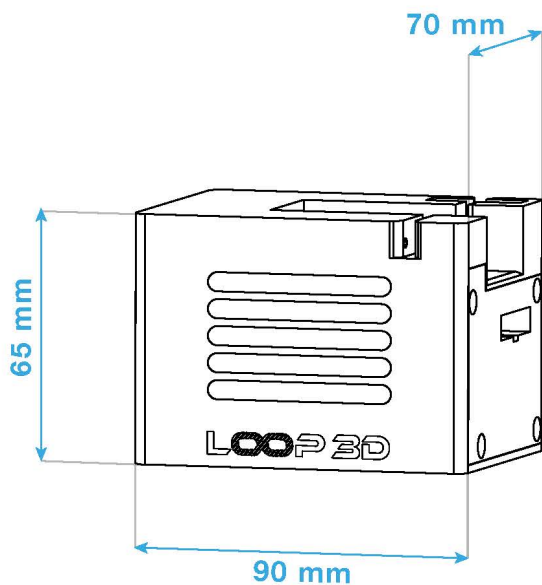


# 3D-MODEL

## LOOP 3D

# Printhead

LOOP PRO X modular printheads are high end professional printheads that are designed to be durable and swappable for long term use and easy maintenance while giving you the prints with the best surface quality. Thanks to the hardened steel nozzle printhead is able to print the hardest materials with ease.



## LOOP 3D